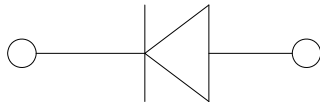
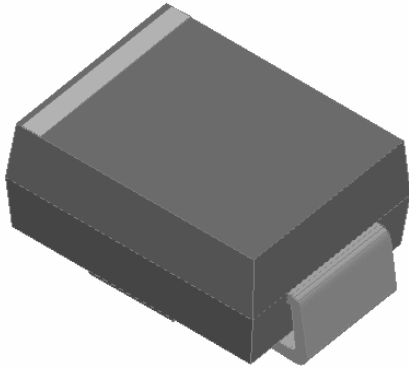


Surface Mount Schottky Rectifier



Features

- Low profile package
- Ideal for automated placement
- Guardring for overvoltage protection
- Low power losses, high efficiency
- High forward surge capability
- Meets MSL level 1, per J-STD-020, LF maximum peak of 260 °C

Typical Applications

For use in low voltage high frequency inverters, freewheeling, DC/DC converters, and polarity protection applications.

Mechanical Data

Package: DO-214AA (SMB)

Molding compound meets UL 94 V-0 flammability rating, RoHS-compliant, halogen-free

Terminals: Tin plated leads, solderable per J-STD-002 and JESD22-B102

Polarity: Cathode line denotes the cathode end

Maximum Ratings (T_a=25 Unless otherwise specified)

PARAMETER	SYMBOL	UNIT	SS52B	SS53B	SS54B	SS55B	SS56B	SS58B	SS510B	SS515B	SS520B
Device marking code			SS52B	SS53B	SS54B	SS55B	SS56B	SS58B	SS510B	SS515B	SS520B
Repetitive peak reverse voltage	V _{RRM}	V	20	30	40	50	60	80	100	150	200
Average rectified output current @60Hz sine wave, resistance load, TL (FIG.1)	I _O	A	5.0								
Surge(non-repetitive)forward current @60Hz half-sine wave,1 cycle, T _a =25	I _{FSM}	A	100								
Storage temperature	T _{stg}		-55 ~+150								
Junction temperature	T _j		-55~+125			-55 ~+150					

Electrical Characteristics T_a=25 Unless otherwise specified

PARAMETER	SYMBOL	UNIT	TEST CONDITIONS	SS52B	SS53B	SS54B	SS55B	SS56B	SS58B	SS510B	SS515B	SS520B
Maximum instantaneous forward voltage drop per diode	V _F	V	I _{FM} = 5.0A, 1/10 duty cycle	F M60			0.70	0.85	0.90 M			

--	--	--	--	--	--	--	--	--	--	--	--	--

Note1:Pulse test:300uS pulse width,1% duty cycle

Note2:Pulse test:pulse width 40mS



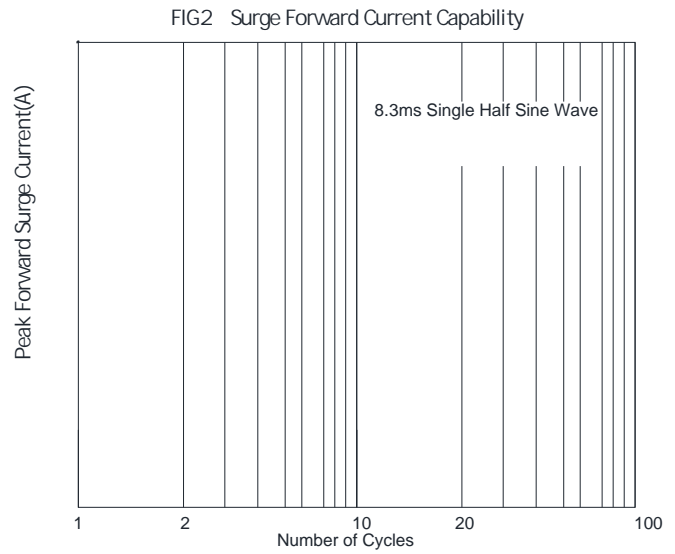
SS52B THRU SS520B

Thermal Characteristics $T_a=25$ Unless otherwise specified

PARAMETER	SYMBOL	UNIT	SS52B	SS53B	SS54B	SS55B	SS56B	SS58B	SS510B	SS515B	SS520B
Thermal resistance	R_{JA}	/W	58 ⁽¹⁾								
	R_{JL}		20 ⁽¹⁾								

Note:
(1) Thermal resistance from junction to ambient and from junction to lead mounted on P.C.B. with 0.6" x 0.6" (16 mm x 16 mm) copper pad areas

Characteristics(Typical)



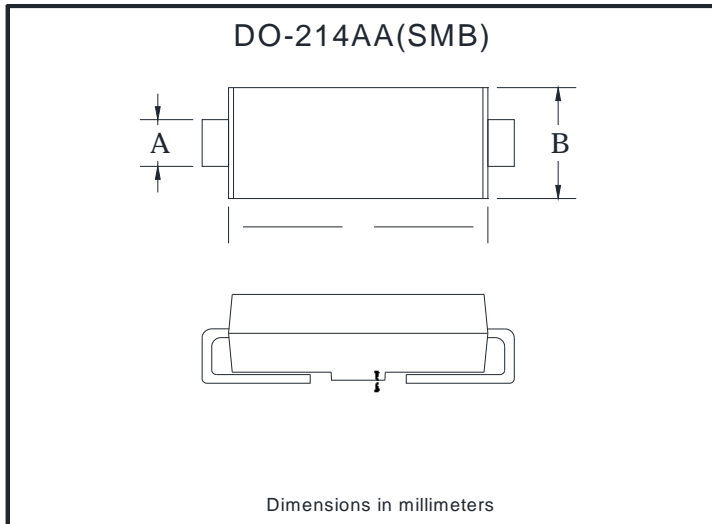


SS52B THRU SS520B

Ordering Information (Example)

PREFERED P/N	PACKING CODE	UNIT WEIGHT(g)	MINIMUM PACKAGE(pcs)	INNER BOX QUANTITY(pcs)	OUTER CARTON QUANTITY(pcs)	DELIVERY MODE
SS52B-SS520B	F1	Approximate 0.096	3000	/	48000	13" reel
SS52B-SS520B	F2	Approximate 0.096	750	3000	24000	7" reel
SS52B-SS520B	F3	Approximate 0.096	500	2000	16000	7" reel

Outline Dimensions



DO-214AA(SMB)		
Dim	Min	Max
A	1.85	2.15
B	3.30	3.94
C	4.05	4.75
D	1.99	2.61
E	5.21	5.59
F	0.90	1.41
G	0.05	0.20
H	0.15	0.31

Suggested pad layout

DO-214AA(SMB)	
Dim	Millimeters
P1	6.8
P2	4.3
P3	1.8
Q1	2.5
Q2	2.3



SS52B THRU SS520B

Disclaimer

The information presented in this document is for reference only. Yangzhou Yangjie Electronic Technology Co., Ltd. reserves the